



## GTM-205M-5GE

Industrial 5G Modem with USB 3.1 Super Speed Plus interface. (Asia Only, Except China)

### Features

- Support 5G SA/NSA Bands
- Support 4G/3G Global Bands
- Support TCP Server, TCP Client, and UDP Client Connection from 5G/4G
- Support Standard AT Commands
- Includes a Digital Input Channel to reset the System
- Supports USB 3.1 Super Speed Plus Interface.
- DIN-Rail mountable



### Introduction

The GTM-205M-5G is an industrial 5G NR modem with USB Super Speed Plus interfaces that work at frequencies of 5G NR n1/n2/n3/n5/n7/n8/n12/n20/n28/n41/n66/n71/n77/n78/n78 and LTE Global Bands and WCDMA B1/B2/B3/B4/B5/B6/B8/B19. The modems utilize the 5G, 4G or 3G network to transfer data. The features of the GTM-205M-5G allow a variety of PAC and PC applications to take advantage of SMS and 5G or 4G or 3G connectivity.

### Applications

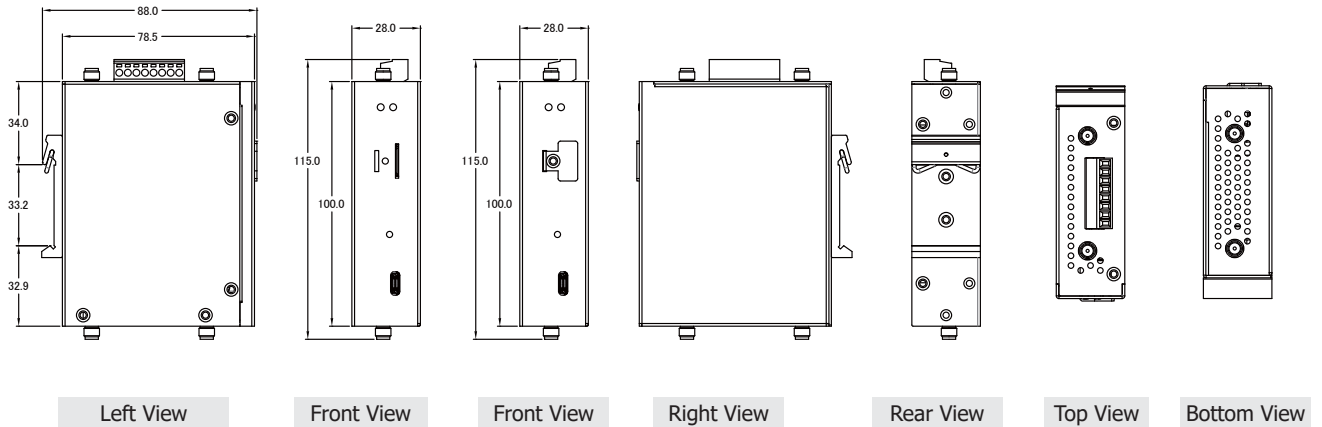


### System Specifications

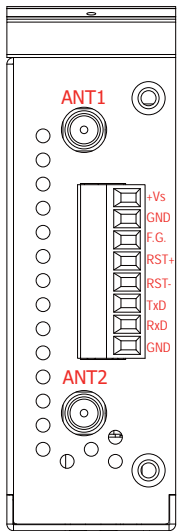
Model	GTM-205M-5GE
<b>LED Indicators</b>	
Status	1 x Power 1 x 5G
<b>3G System</b>	
Frequency Band	B1/B2/B3/B4/B5/B6/B8/B19
<b>4G System</b>	
Data Transmission Rate	FDD: B1/B2/B3/B4/B5/B7/B8/B12(B17)/B13/B14/B18/B19/B20/B25/B26/B28/B29/B30/B32/B66/B71 TDD: B34/B38/B39/B40/B41/B42/B48
<b>5G System</b>	
Frequency Band	n1/n2/n3/n5/n7/n8/n12/n20/n28/n41/n66/n71/n77/n78/n79
<b>Reset Input</b>	
Type	Isolated, 3750 Vrms
ON Voltage Level	+3.5 VDC ~ +30 VDC
OFF Voltage Level	+1 VDC max. T40
Input Impedance	3 kΩ, 0.25W

Model	GTM-205M-5GE
<b>COM Ports</b>	
Ports	1 x RS-232 (Rx/D, Tx/D, GND. Only for software reset system.)
Baud Rate	115200 bps
<b>USB</b>	
Specification	USB 3.1 (Super speed plus)
Driver	Windows 10_x64, Windows 11
<b>Mechanical</b>	
Casing	Metal
Dimensions (mm)	28 x 78.5 x 100 (W x L x H)
Installation	DIN-Rail
<b>Environment</b>	
Operating Temperature	-25°C to 70°C
Storage Temperature	-40°C to 80°C
Humidity	5~90% RH, non-condensing

## Dimensions (Units: mm)



## Pin Assignments



Item	Name
Power Input +10 ~ +30 VDC	+Vs
	GND
Frame Ground	F.G
Reset	RST+
	RST-
RS-232	TxD
	RxD
	GND

## Ordering Information

<b>GTM-205M-5GE CR</b>	Industrial 5G Modem with USB 3.1 Super Speed Plus interface. (RoHS) (Asia Only, Except China)
------------------------	---

## Accessories

<b>ANT-115-P1 CR</b>	GPS magnetic mount antenna with 1.6M cable (SMA Male Plug) (RoHS)
----------------------	---